

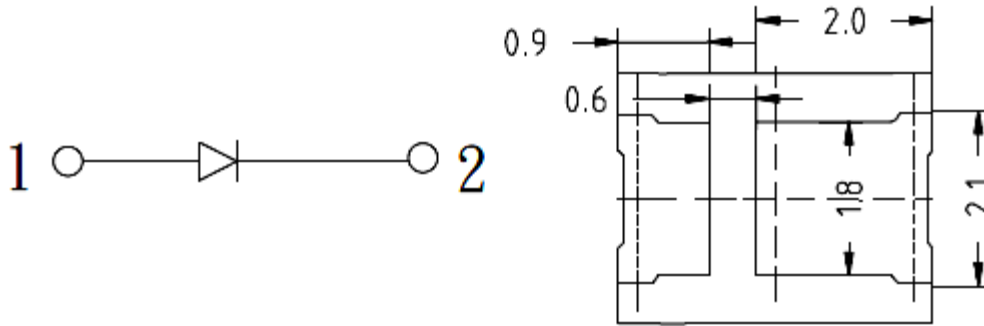
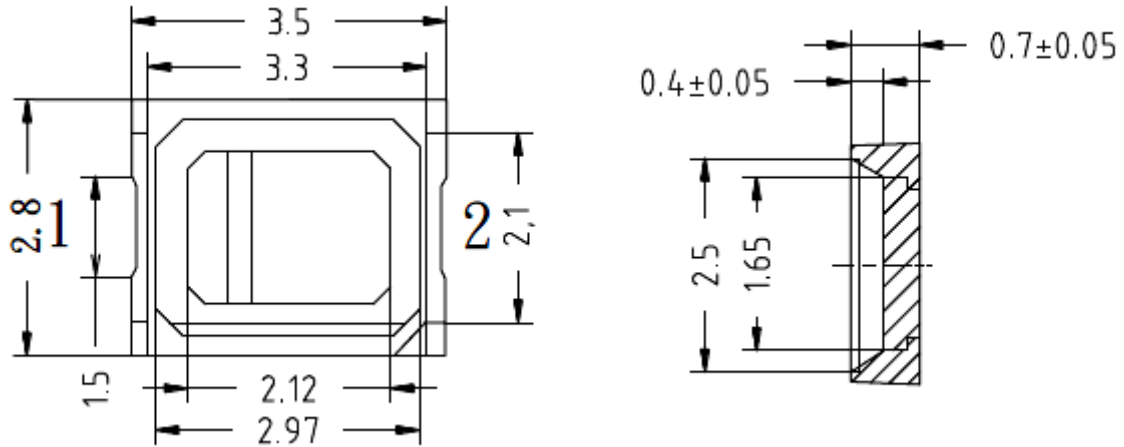


# SHARLIGHT ELECTRONICS CO., LTD.

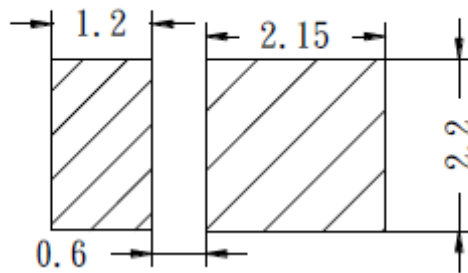
## SPECIFICATION FOR APPROVAL

Part No. : SLM-2835NS40-B21-EC (NEUTRAL WHITE)

### Package Dimensions



### RECOMMEND PADLAYOUT



Part NO.	Chip Material	Lens Color	Emission Color
SLM-2835NS40-B21-EC	InGaN	-	Neutral White

**Notes:**

1. All dimensions are in millimeters.
2. Tolerance is  $\pm 0.25\text{mm}$  unless otherwise noted.
3. Specifications are subject to change without notice.



# SHARLIGHT ELECTRONICS CO., LTD.

## SPECIFICATION FOR APPROVAL

Part No. : SLM-2835NS40-B21-EC (NEUTRAL WHITE)

### Absolute Maximum Ratings at TA=25°C

Parameter	Maximum Rating	Unit
Forward Current	100	mA
Power Dissipation	340	Mw
Reverse Voltage	5	V
Junction Temperature	110	°C
Operating Temperature Range	-40°C to + 80°C	
Storage Temperature Range	-40°C to + 100°C	
Soldering Temperature	260°C for 5 Seconds	

### Electrical / Optical Characteristics at TA=25°C

Parameter	Symbol	Min.	Typ.	Max.	Unit	Test Condition
Lumen	Φ		20		lm	IF =60mA
Viewing Angle	2θ 1/2		120		deg	IF =60mA
Wavelength	X		0.3828			IF =60mA
	Y		0.3803			
Forward Voltage	VF		3.2	3.4	V	IF =60mA
Reverse Current	IR			10	μA	Vr = 5v
Color Rendering Index	CRI		80		%	IF =60mA
Color Temperature	CCT		3900		K	IF =60mA

### Range of bins

Bin Code	B	C	D	E	F	G	H	I
VF(V)	2.8-2.9	2.9-3.0	3.0-3.1	3.1-3.2	3.2-3.3	3.3-3.4	3.4-3.5	3.5-3.6
Bin Code	15	16	17	18				
LM(lm)	18-20	20-22	22-24	24-26				
WL	5A1	5A2	5B1	5B2				

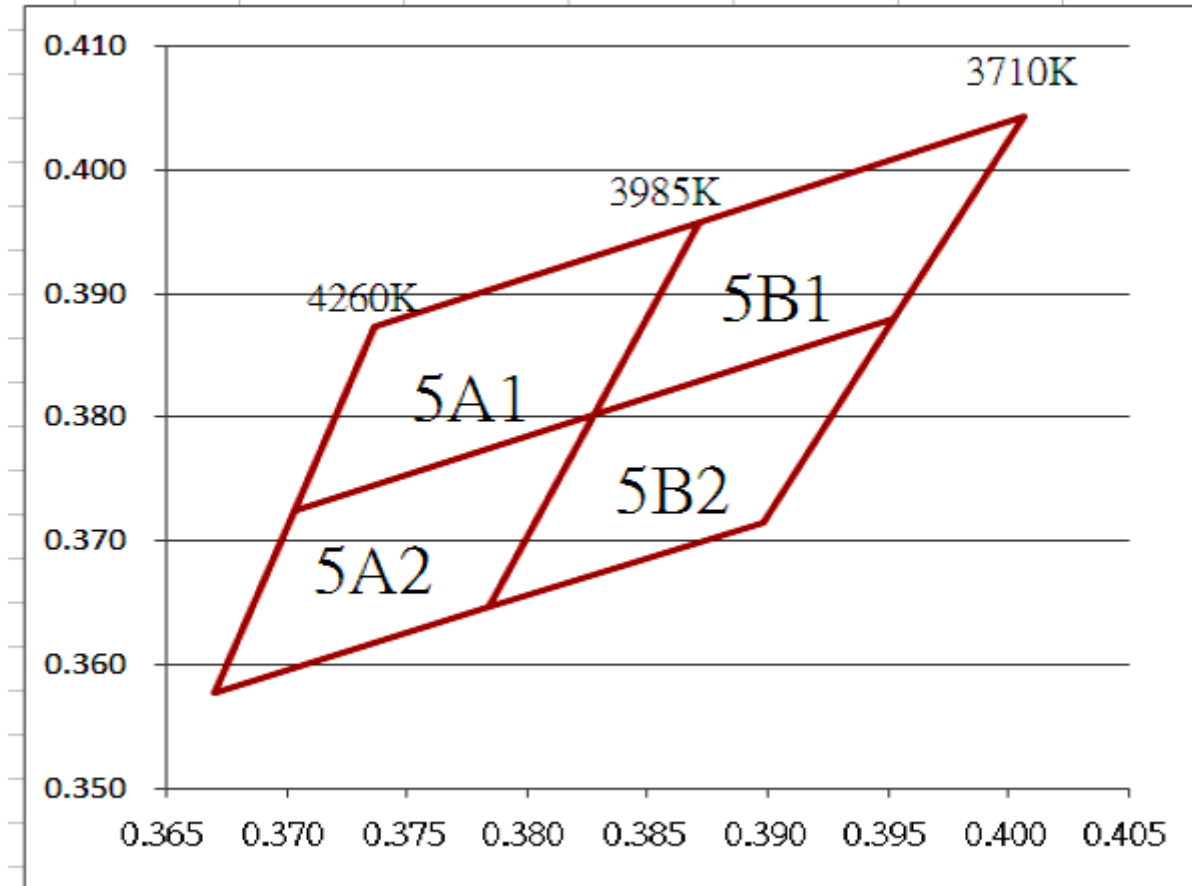


# SHARLIGHT ELECTRONICS CO., LTD.

## SPECIFICATION FOR APPROVAL

Part No. : SLM-2835NS40-B21-EC (NEUTRAL WHITE)

### ■ Color Coordinate Comparison



BIN 碼	X	Y	X	Y	X	Y	X	Y
5A1	0.3871	0.3959	0.3736	0.3874	0.3703	0.3726	0.3828	0.3803
5A2	0.3828	0.3803	0.3703	0.3726	0.3670	0.3578	0.3784	0.3647
5B1	0.4006	0.4044	0.3871	0.3959	0.3828	0.3803	0.3952	0.3880
5B2	0.3952	0.3880	0.3828	0.3803	0.3784	0.3647	0.3898	0.3716

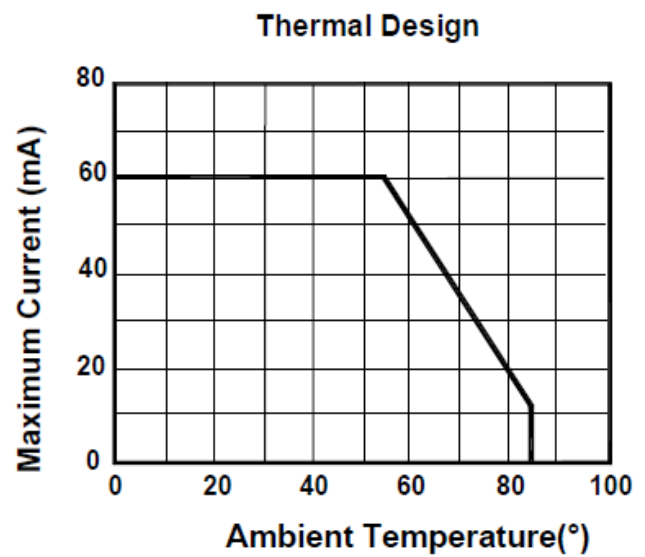
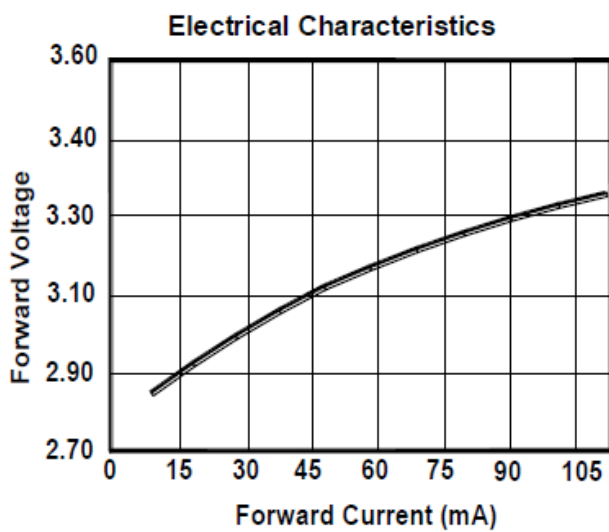
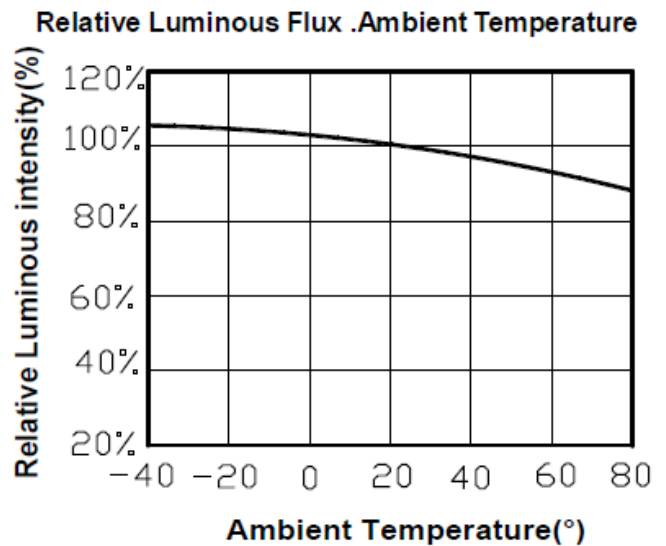
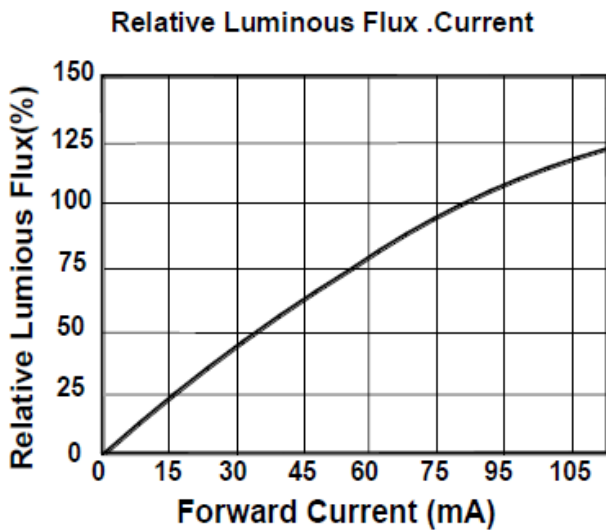
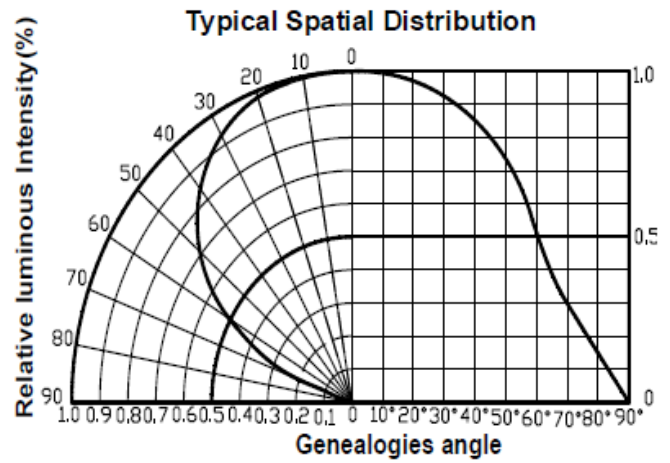
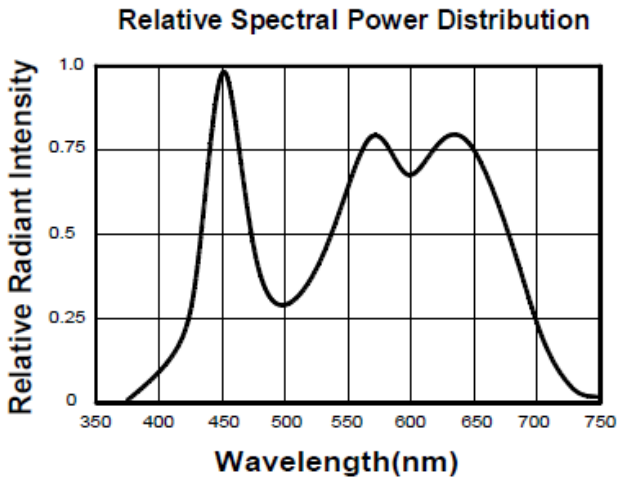


# SHARLIGHT ELECTRONICS CO., LTD.

## SPECIFICATION FOR APPROVAL

Part No. : SLM-2835NS40-B21-EC (NEUTRAL WHITE)

### Optical Characteristics-1



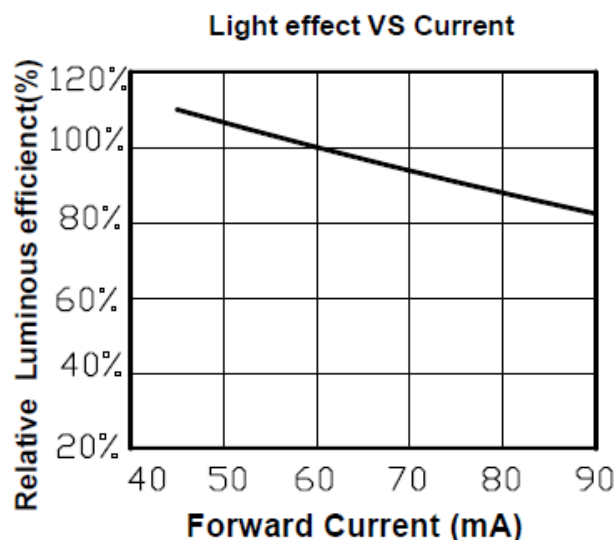
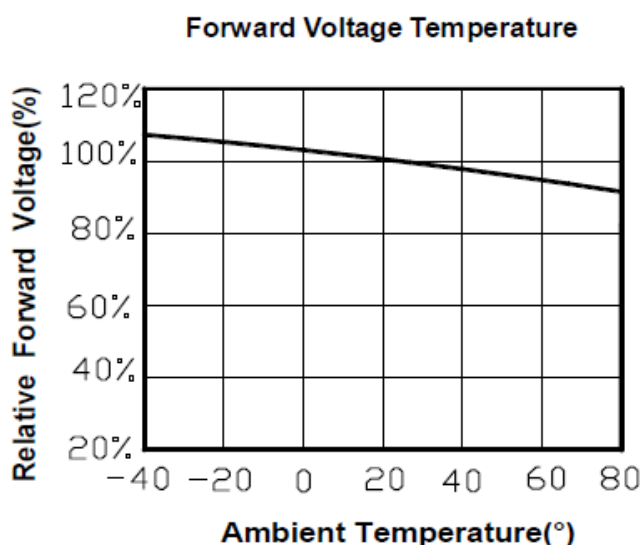


# SHARLIGHT ELECTRONICS CO., LTD.

## SPECIFICATION FOR APPROVAL

Part No. : SLM-2835NS40-B21-EC (NEUTRAL WHITE)

### ■ Optical Characteristics-2



### ■ Test Items and Results of Reliability

Type	Test Item	Test Standard	Test Conditions	Note	Number of Damaged
Environmental Sequence	Temperature Cycle	JEITA ED-4701 300 303	-40°C 30min ↑↓5 min 100°C 30min	100 cycle	0/50
	Thermal Shock	JEITA ED-4701 200 303	-10°C 15min ↑↓5sec 100°C 15min	20 cycle	0/22
	High Temperature Storage	JEITA ED-4701 200 201	T <sub>a</sub> =100°C	1000 hrs	0/22
	Humidity Heat Storage	JEITA ED-4701 100 103	T <sub>a</sub> =60°C RH=90%	1000 hrs	0/22
	Low Temperature Storage	JEITA ED-4701 200 202	T <sub>a</sub> =-40°C	1000 hrs	0/22
Operation Sequence	Life Test	Tested with Brightek standard	T <sub>a</sub> =25°C I <sub>F</sub> =60mA	1000 hrs	0/22
	High Humidity Heat Life Test	Tested with Brightek standard	60°C RH=90% I <sub>F</sub> =30mA	500 hrs	0/22
	Low Temperature Life Test	Tested with Brightek standard	T <sub>a</sub> =-30°C I <sub>F</sub> =60mA	1000 hrs	0/22



# SHARLIGHT ELECTRONICS CO., LTD.

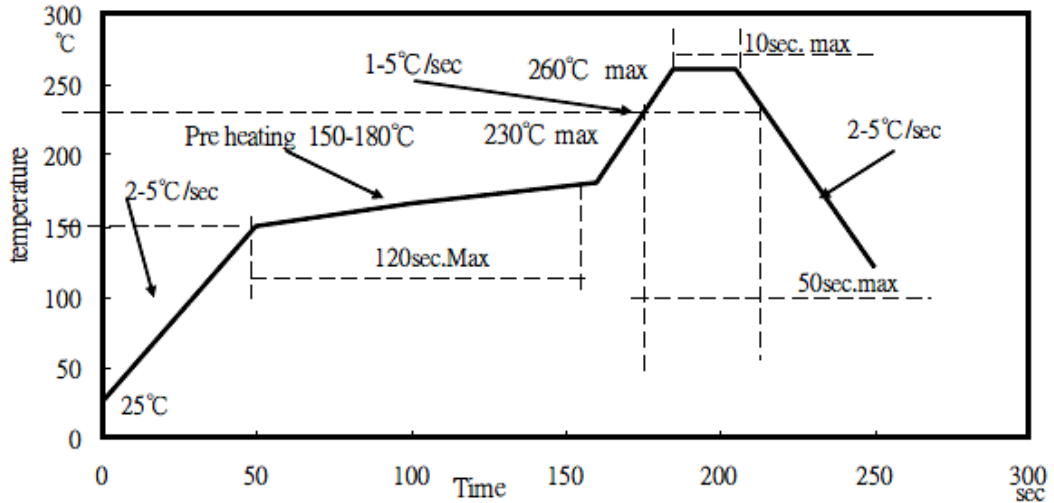
## SPECIFICATION FOR APPROVAL

Part No. : SLM-2835NS40-B21-EC (NEUTRAL WHITE)

### ■ Reflow Profile

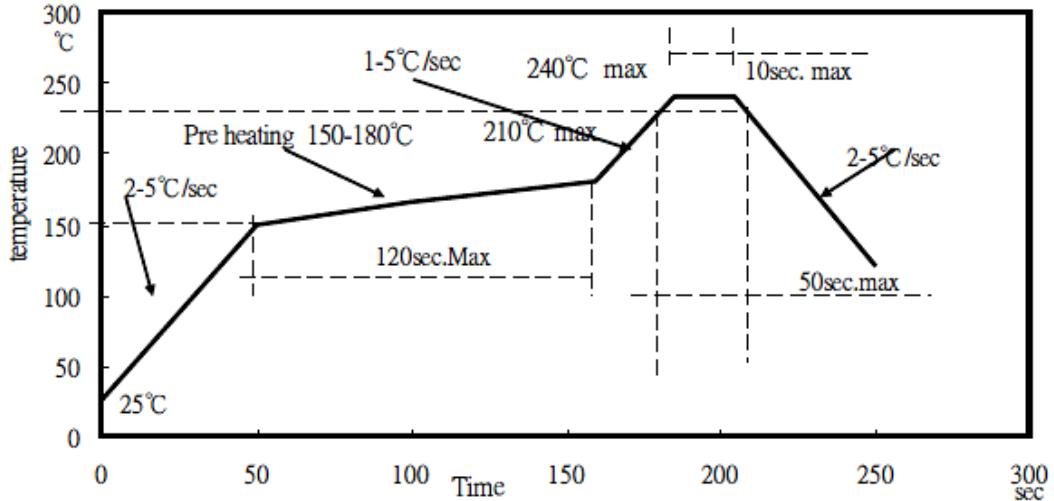
#### 1. IR reflow soldering Profile

##### Lead Free solder



#### 2. IR reflow soldering Profile

##### Lead solder



#### NOTES:

1. We recommend the reflow temperature 240°C(±5°C).the maximum soldering temperature should be limited to 260°C.
2. Don't cause stress to the silicone resin while it is exposed to high temperature.
3. Number of reflow process shall be 1 time.



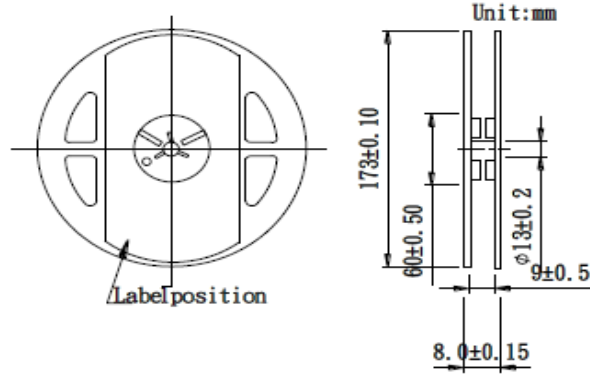
# SHARLIGHT ELECTRONICS CO., LTD.

## SPECIFICATION FOR APPROVAL

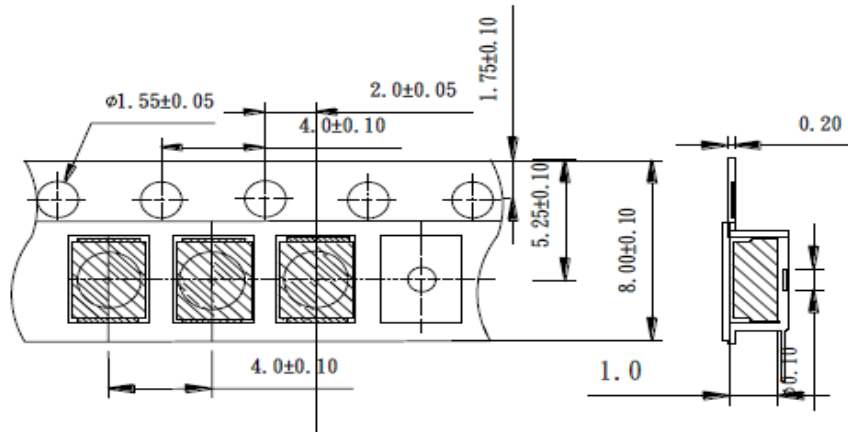
Part No. : SLM-2835NS40-B21-EC (NEUTRAL WHITE)

### ■ Packing

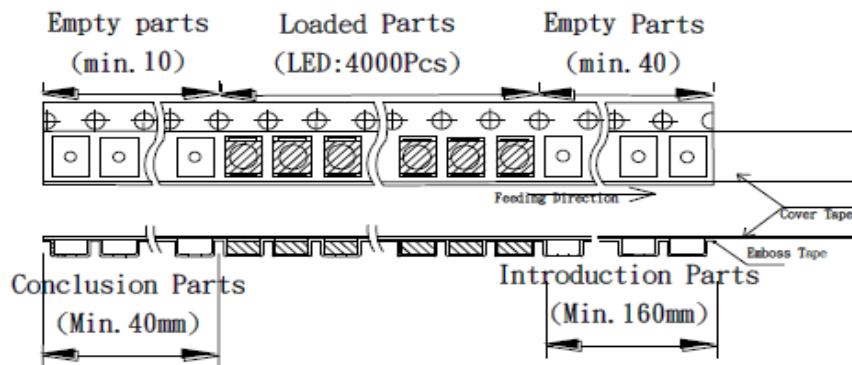
- Dimensions of Reel (Unit: mm)



- Dimensions of Tape (Unit: mm)



- Arrangement of Tape



#### NOTES

1. Empty component pockets are sealed with top cover tape;
2. The maximum number of missing smd is two;
3. The cathode is oriented towards the tape sprocket hole in accordance with ANSI/EIA RS-481 specifications;
4. 4,000pcs/Reel



**SHARLIGHT ELECTRONICS CO., LTD.**  
SPECIFICATION FOR APPROVAL

Part No. : SLM-2835NS40-B21-EC (NEUTRAL WHITE)

**※Note :**

**Recommended storage conditions :**

1. Storage Condition:

- a. don't open the sealed bag until the Reflow Soldering ◦
- b. before open the sealed bag, please keep bag at Ambient Temperature from 5 to 25°C and Relative Humidity < 60% ◦
- c. storage life: within 6 months ◦

2. Once overdue the storage life or after open the sealed bag for 12 hours , the LED has to be oven at 70°C for 24 hours before the Reflow Soldering ◦

3. After oven the LED, the Reflow Soldering has to be completed within 12 hours. ◦

Otherwise, the oven LED has to be sealed in bag again and storage at Ambient Temperature of 23 +/- 5°C & RH 5~30% ◦